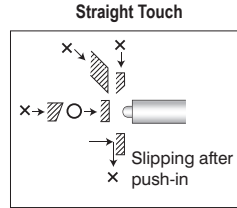


Precision Straight Touch Limit Switches

Features

- Ultra-small design (M5 or Ø5)
- 3 micron (μm) repeat accuracy
- No movement differential
- Dustproof / water-resistant (IP67) models available
- Stainless steel housing
- Metal bearing



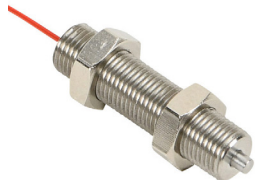
O indicates correct target approach and orientation.
X indicates approach and orientation that should be avoided.

Precision Straight Touch Limit Switches Selection Chart

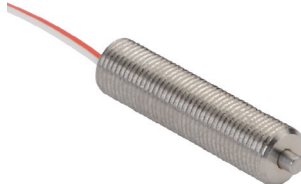
Part Number	Price	Drawing Link	Actuator/Head Type*	Barrel	Barrel Diameter/Thread*	Stroke	Switching Output	Contact Force	Connection Type
PT5M1WA	\$93.00	PDF	Ø 1.5mm plunger, SR 2mm	Threaded	M5×0.5	1.5mm	(1) N.O.	0.5N	Core wire, 0.5m [1.6ft]
PT5M3WA	\$72.00	PDF	Ø 1.5mm plunger, SR 2mm			1.5mm	(1) N.O.	0.5N	
PT5M3WB	\$72.00	PDF	Ø 1.5mm plunger, SR 2mm			1.5mm	(1) N.C.	0.5N	
PT5M3CB	\$85.00	PDF	Ø1.5mm plunger, SR 2mm			1.5mm	(1) N.C.	0.5N	
PT5M3CB-L	\$86.00	PDF	Ø 1.5mm plunger, SR 2mm			1.5mm	(1) N.C.	0.5N	
PT5S3CB-L	\$81.00	PDF	Ø 1.5mm plunger, SR 2mm	Smooth	Ø 5 mm	1.5mm	(1) N.C.	0.5N	Cable, 2m [6.5ft]
PTP5M3CB-B	\$101.00	PDF	Ø 1.5mm plunger, Ø 3mm flat	Threaded	M5×0.5	1.5mm	(1) N.C.	0.8N	
PTP5M3CB-L	\$94.00	PDF	Ø 11.5mm plunger, SR 2mm	Threaded		1.5mm	(1) N.C.	0.8N	
PTP5S3CB-L	\$88.00	PDF	Ø 1.5mm plunger, SR 2mm	Smooth	Ø 5 mm	1.5mm	(1) N.C.	0.8N	

* Ø = diameter, SR = surface radius

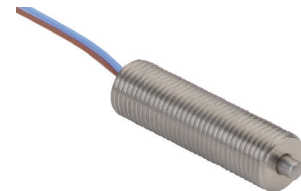
-L: LED indicator (mounted in cable 120mm from the switch)



[PT5M1WA](#)



[PT5M3WA](#)



[PT5M3WB](#)



[PT5M3CB](#)



[PTP5M3CB-L](#)



[PTP5S3CB-L](#)



[PTP5M3CB-B](#)



[PTP5M3CB-L](#)



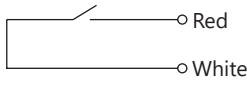
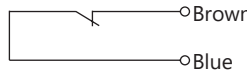
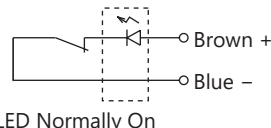
[PTP5S3CB-L](#)

Precision Straight Touch Limit Switches Specifications		
Series	PT5x3xx	PTP5x3CB
Environmental		
Degree of Protection	IP40	IP67
Temperature Range	Operating: 0 to 80°C [32 to 176°F] (Ice-free)	
Mechanical Ratings		
Enclosure Material	303 Stainless Steel	
Pretravel	0* (PT5M3WA and PT5M1WA about 0.3 mm)	
Torque (for nuts on threaded barrels, set screws on smooth barrels)	1 N·m	
Vibration	10–55 Hz total amplitude 1.5 for X, Y, Z each direction	
Shock	300 m/s ² for X, Y, Z each direction	
Electrical Ratings		
Contact Life	3 million operations	
Repeat Accuracy	Both On–Off, Off–On: 0.003 mm**	
Recommended Minimum Operating Speed	50 mm/minute	
Contact Voltage	5–24 VDC	
Steady Current Rating	10mA or less	
Max In-rush Current Rating	20mA without LED indicator, 10mA with LED indicator	
Connection Type	PTxxxWx: Core-wire cable, 0.5m (x2) Oil resistant Ø 0.6 Tensile strength 15N. PTxxxCB: Cable, 2m Oil-resistant Ø2.8/2 cores Tensile strength 30N, Minimum bending R7.	
Indicating	-L models: LED indicator (mounted in cable 120mm from the switch)	

* Adjust the installed location of the switch by the signal switching point.

** At operating speed 50-200 mm/minute. Operating speed slower than 10 mm/min is not recommended.

Circuit Diagrams

Without LED	With LED (-L models)
<p>Normally open (N.O.)</p> 	
<p>Normally closed (N.C.)</p> 	<p>Normally closed (N.C.)</p>  <p>LED Normally On</p>