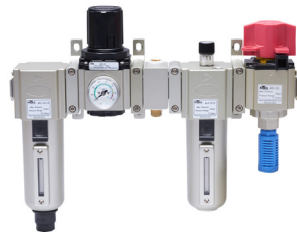




Pneumatic Air Preparation - AL2 Series Lubricators



Modular Assembly Example



AL2-66-D



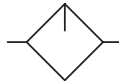
AL2-44-N



AL2-32



Mounting bracket included.



Air Lubricator

NITRA® pneumatic mist type air lubricators are available with 1/8", 1/4", 3/8", 1/2", 3/4" or 1" NPT female port sizes and a lubrication rate adjustment with sight gauge to meet a broad range of pneumatic air supply lubrication applications. All-metal bowls with sight gauge are available in all sizes. Polycarbonate or nylon bowls with metal bowl guards are available in 2x, 3x and 4x sizes.

Provided with a mounting bracket for stand-alone applications, the modular design also enables easy field assembly for combining with NITRA pneumatic filters and regulators (using modular assembly brackets purchased separately).

Features

- 1/8", 1/4", 3/8", 1/2", 3/4" and 1" NPT female port sizes
- All-metal bowls with sight gauge available on all sizes. Polycarbonate or nylon bowls with metal bowl guards available on 2x, 3x and 4x sizes.
- Adjustable lubrication rate
- Mounting bracket provided for stand-alone applications
- Modular design enables easy field assembly for combining with NITRA filters and regulators
- Lubricators can be filled while pressurized
- 2 year warranty



See www.AutomationDirect.com for a wide variety of fitting options

AL2 Series Lubricators											
Part No.	Price	Weight (lbs)	Port Size (FNPT)	Bowl	Fluid	Temperature	Operating Pressure	Maximum Pressure	Proof Pressure	Recommended Lubricant	Drawing Link
AL2-21-N	\$31.50	0.64	1/8"	36cc nylon with metal bowl guard	Air	-5°C to 70°C (23°F to 158°F)	7~145psi (0.05~1.0MPa) (0.5~10.0 bar)	145psi (1.0MPa) (10.0 bar)	215psi (1.5MPa) (15 bar)	ISO VG32 or equivalent	PDF
AL2-21-D	\$40.00	0.66		36cc die-cast aluminum bowl w/ sight							PDF
AL2-21	\$31.50	0.65		36cc polycarbonate with metal bowl guard							PDF
AL2-22-N	\$31.50	0.63	1/4"	36cc nylon with metal bowl guard							PDF
AL2-22-D	\$40.00	0.65		36cc die-cast aluminum bowl w/ sight							PDF
AL2-22	\$31.50	0.64		36cc polycarbonate with metal bowl guard							PDF
AL2-32-N	\$49.00	1.08	1/2"	98cc nylon with metal bowl guard							PDF
AL2-32-D	\$40.00	1.12		98cc die-cast aluminum bowl w/ sight							PDF
AL2-32	\$49.00	1.1		98cc polycarbonate with metal bowl guard							PDF
AL2-33-N	\$49.00	1.08	3/8"	98cc nylon with metal bowl guard							PDF
AL2-33-D	\$40.00	1.12		98cc die-cast aluminum bowl w/ sight							PDF
AL2-33	\$47.50	1.09		98cc polycarbonate with metal bowl guard							PDF

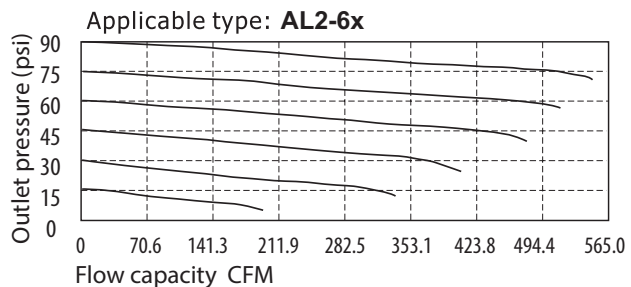
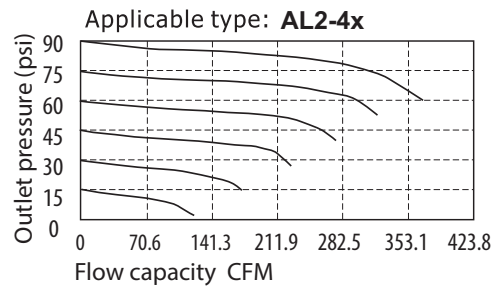
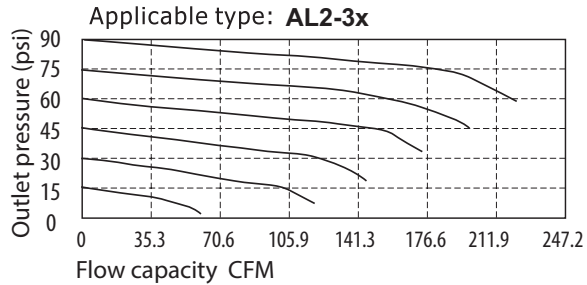
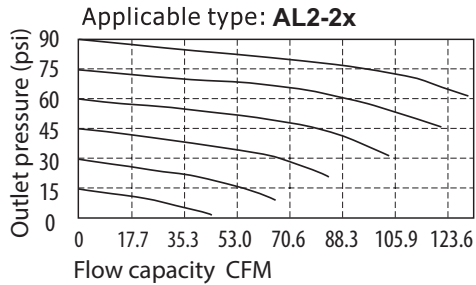


Pneumatic Air Preparation - AL2 Series Lubricators

AL2 Series Lubricators Cont.											
Part No.	Price	Weight (lbs)	Port Size	Bowl	Fluid	Temperature	Operating Pressure	Maximum Pressure	Proof Pressure	Recommended Lubricant	Drawing Link
AL2-44-N	\$61.00	1.8	1/2"	185cc nylon with metal bowl guard	Air	-5°C to 70°C (23°F to 158°F)	7~145psi (0.05~1.0MPa) (0.5~10.0 bar)	145psi (1.0MPa) (10.0 bar)	215psi (1.5MPa) (15 bar)	ISO VG32 or equivalent	PDF
AL2-44-D	\$64.00	1.83		185cc die-cast aluminum bowl w/ sight							PDF
AL2-44	\$69.00	1.82		185cc polycarbonate with metal bowl guard							PDF
AL2-66-D	\$112.00	3.31	3/4"	410cc die-cast aluminum bowl w/ sight							PDF
AL2-68-D	\$112.00	3.27	1"	410cc die-cast aluminum bowl w/ sight							PDF

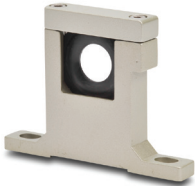
Performance Charts

Flow chart





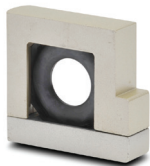
Part No. ADB-21



Part No. AB-4T



Part No. AB-4L



Part No. AB-4U

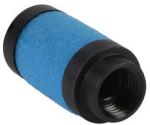
Pneumatic Air Preparation Accessories			
Part No.	Price	Description	Weight (lbs)
<u>ADB-21</u>	\$18.00	NITRA pneumatic distribution block, 1/8in female NPT inlet(s), (3) 1/8in female NPT outlet(s). For use with Ax-21 series air prep components.	0.1
<u>ADB-22</u>	\$18.00	NITRA pneumatic distribution block, 1/4in female NPT inlet(s), (3) 1/4in female NPT outlet(s). For use with Ax-22 series air prep components.	0.1
<u>ADB-32</u>	\$25.50	NITRA pneumatic distribution block, 1/4in female NPT inlet(s), (3) 1/4in female NPT outlet(s). For use with Ax-32 series air prep components.	0.2
<u>ADB-33</u>	\$25.50	NITRA pneumatic distribution block, 3/8in female NPT inlet(s), (3) 3/8in female NPT outlet(s). For use with Ax-33 series air prep components.	0.2
<u>ADB-44</u>	\$27.00	NITRA pneumatic distribution block, 1/2in female NPT inlet(s), (3) 1/2in female NPT outlet(s). For use with Ax-44 series air prep components.	0.4
<u>AB-2T</u>	\$16.50	NITRA modular T-bracket, for use with Ax-2 series air prep components.	0.2
<u>AB-2L</u>	\$16.50	NITRA modular L-bracket, for use with Ax-2 series air prep components.	0.2
<u>AB-2U</u>	\$16.50	NITRA modular U-bracket, for use with Ax-2 series air prep components.	0.1
<u>AB-3T</u>	\$18.00	NITRA modular T-bracket, for use with Ax-3 series air prep components.	0.3
<u>AB-3L</u>	\$18.00	NITRA modular L-bracket, for use with Ax-3 series air prep components.	0.3
<u>AB-3U</u>	\$18.00	NITRA modular U-bracket, for use with Ax-3 series air prep components.	0.2
<u>AB-4T</u>	\$22.00	NITRA modular T-bracket, for use with Ax-4 series air prep components.	0.5
<u>AB-4L</u>	\$22.00	NITRA modular L-bracket, for use with Ax-4 series air prep components.	0.5
<u>AB-4U</u>	\$22.00	NITRA modular U-bracket, for use with Ax-4 series air prep components.	0.4
<u>AB-6T</u>	\$32.00	NITRA modular T-bracket, for use with Ax-6 series air prep components.	1.3
<u>AB-6L</u>	\$30.00	NITRA modular L-bracket, for use with Ax-6 series air prep components.	1.2
<u>AB-6U</u>	\$28.50	NITRA modular U-bracket, for use with Ax-6 series air prep components.	0.8



Part No. [AFE2-43](#)



Part No. [AFE2-41](#)



Part No. [AFE-24](#)



Part No. [AFE-35](#)

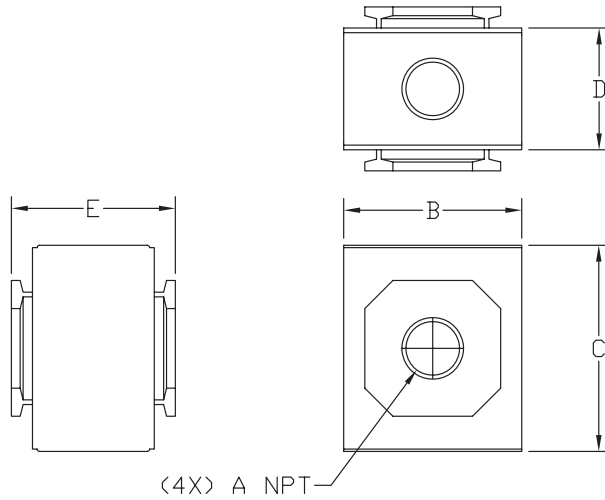
Pneumatic Air Preparation Accessories			
Part No.	Price	Description	Weight (lbs)
NITRA Gen 2 Particulate Filters			
<u>AFE2-23</u>	\$1.50	NITRA particulate filter element, replacement, 40 micron particles, high-density polyethylene (HDPE). For use with AF-2 series filters or AFR-2 series filter regulators.	0.01
<u>AFE2-33</u>	\$3.00	NITRA particulate filter element, replacement, 40 micron particles, high-density polyethylene (HDPE). For use with AF-3 series filters or AFR-3 series filter regulators.	0.01
<u>AFE2-43</u>	\$4.25	NITRA particulate filter element, replacement, 40 micron particles, high-density polyethylene (HDPE). For use with AF-4 series filters or AFR-4 series filter regulators.	0.01
<u>AFE2-63</u>	\$11.00	NITRA particulate filter element, replacement, 40 micron particles, high-density polyethylene (HDPE). For use with AF-6 series filters or AFR-6 series filter regulators.	0.04
<u>AFE2-21</u>	\$1.50	NITRA particulate filter element, replacement, 5 micron particles, high-density polyethylene (HDPE). For use with AF-2 series filters or AFR-2 series filter regulators.	0.01
<u>AFE2-31</u>	\$3.00	NITRA particulate filter element, replacement, 5 micron particles, high-density polyethylene (HDPE). For use with AF-3 series filters or AFR-3 series filter regulators.	0.01
<u>AFE2-41</u>	\$4.25	NITRA particulate filter element, replacement, 5 micron particles, high-density polyethylene (HDPE). For use with AF-4 series filters or AFR-4 series filter regulators.	0.01
<u>AFE2-61</u>	\$11.00	NITRA particulate filter element, replacement, 5 micron particles, high-density polyethylene (HDPE). For use with AF-6 series filters or AFR-6 series filter regulators.	0.04
NITRA Coalescing Filters			
<u>AFE-24</u>	\$20.50	NITRA coalescing oil removal filter element, replacement, 0.3 micron particles, borosilicate glass microfiber. For use with AC-2 series coalescing filters.	0.05
<u>AFE-34</u>	\$25.50	NITRA coalescing oil removal filter element, replacement, 0.3 micron particles, borosilicate glass microfiber. For use with AC-3 series coalescing filters.	0.05
<u>AFE-44</u>	\$40.50	NITRA coalescing oil removal filter element, replacement, 0.3 micron particles, borosilicate glass microfiber. For use with AC-4 series coalescing filters.	0.1
<u>AFE-25</u>	\$20.50	NITRA coalescing oil removal filter element, replacement, 0.01 micron particles, borosilicate glass microfiber. For use with AC-2 series coalescing filters.	0.04
<u>AFE-35</u>	\$25.50	NITRA coalescing oil removal filter element, replacement, 0.01 micron particles, borosilicate glass microfiber. For use with AC-3 series coalescing filters.	0.05
<u>AFE-45</u>	\$40.50	NITRA coalescing oil removal filter element, replacement, 0.01 micron particles, borosilicate glass microfiber. For use with AC-4 series coalescing filters.	0.1

Dimensions

mm [inches]

ADB-x

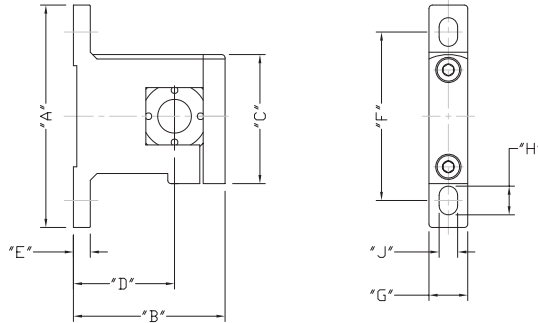
PART NO.	A NPT	DIM B	DIM C	DIM D	DIM E
ADB-21	1/8	30.0 [1.18]	36.0 [1.42]	19.5 [0.77]	28.5 [1.12]
ADB-22	1/4	30.0 [1.18]	36.0 [1.42]	19.5 [0.77]	28.5 [1.12]
ADB-32	1/4	38.0 [1.50]	44.0 [1.73]	26.0 [1.02]	35.0 [1.38]
ADB-33	3/8	38.0 [1.50]	44.0 [1.73]	26.0 [1.02]	35.0 [1.38]
ADB-44	1/2	52.0 [2.05]	52.0 [2.05]	30.0 [1.18]	42.0 [1.65]



Dimensions

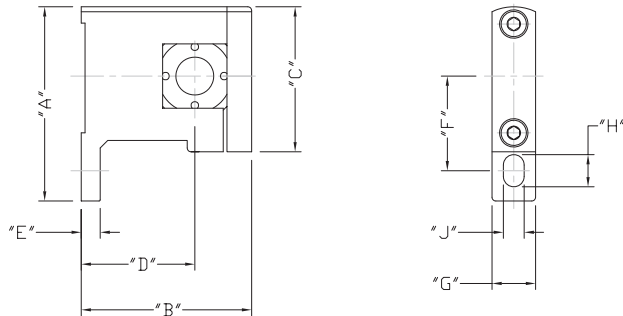
mm [inches]

AB-xT



PART NUMBER	DIM 'A'	DIM 'B'	DIM 'C'	DIM 'D'	DIM 'E'	DIM 'F'	DIM 'G'	DIM 'H'	DIM 'J'
AB-2T	66.0 [2.60]	45.0 [1.77]	38.3 [1.51]	30.0 [1.18]	5.0 [0.20]	50.0 [1.97]	11.5 [0.45]	8.5 [0.33]	5.5 [0.22]
AB-3T	88.0 [3.46]	60.5 [2.38]	49.3 [1.94]	41.5 [1.63]	7.0 [0.28]	70.0 [2.76]	12.5 [0.49]	9.0 [0.35]	6.5 [0.26]
AB-4T	104.0 [4.09]	76.0 [2.99]	58.5 [2.30]	50.0 [1.97]	7.0 [0.28]	80.0 [3.15]	15.5 [0.61]	12.0 [0.47]	8.6 [0.34]
AB-6T	128.0 [5.04]	104.0 [4.09]	79.5 [3.13]	70.0 [2.76]	10.0 [0.39]	100.0 [3.94]	19.5 [0.77]	16.0 [0.63]	11.0 [0.43]

AB-xL



PART NUMBER	DIM 'A'	DIM 'B'	DIM 'C'	DIM 'D'	DIM 'E'	DIM 'F'	DIM 'G'	DIM 'H'	DIM 'J'
AB-2L	51.3 [2.02]	45.0 [1.77]	38.3 [1.51]	30.0 [1.18]	5.0 [0.20]	25.0 [0.98]	11.5 [0.45]	8.5 [0.33]	5.5 [0.22]
AB-3L	68.6 [2.70]	60.5 [2.38]	49.3 [1.94]	41.5 [1.63]	7.0 [0.28]	35.0 [1.38]	12.5 [0.49]	9.0 [0.35]	6.5 [0.26]
AB-4L	79.5 [3.13]	76.0 [2.99]	58.5 [2.30]	50.0 [1.97]	7.0 [0.28]	40.0 [1.57]	15.5 [0.61]	12.0 [0.47]	8.6 [0.34]
AB-6L	103.5 [4.07]	104.0 [4.09]	79.5 [3.13]	70.0 [2.76]	10.0 [0.39]	50.0 [1.97]	19.5 [0.77]	16.0 [0.63]	11.0 [0.43]

Dimensions

mm [inches]

AB-xU

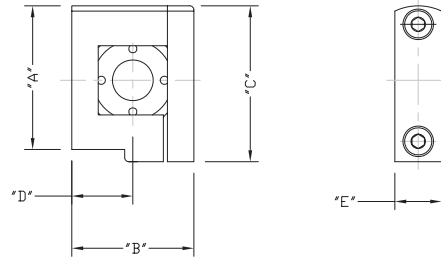


TABLE 1

PART NUMBER	DIM "A"	DIM "B"	DIM "C"	DIM "D"	DIM "E"
AB-2U	35.5 [1.39]	30.0 [1.18]	38.3 [1.51]	15.0 [0.59]	11.5 [0.45]
AB-3U	43.8 [1.72]	38.0 [1.50]	49.3 [1.94]	19.5 [0.75]	12.5 [0.49]
AB-4U	52.5 [2.07]	52.0 [2.05]	58.5 [2.30]	26.0 [1.02]	15.5 [0.61]
AB-6U	76.5 [3.01]	68.0 [2.68]	79.5 [3.13]	34.0 [1.34]	19.5 [0.77]