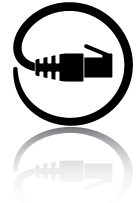


Stride SE Series Unmanaged Industrial Ethernet Switches and Media Converters



Features

- Wide temp range option
- Integrated panel mounting option
- 12, 24 VDC redundant input
- IP40 metal case models
 - IP30 plastic case models
- Haz Loc
- 5-year warranty



IECEX



RoHS Compliant

Plastic Case Switches

Stride SE Series Unmanaged Models						
Part Number	Price	10/100	Fiber Connector	Input Power	Operating Temp	Agency Approvals
<u>SE-SW5U</u>	\$129.00	5	-	2.0 W	-10 to +60°C [+14 to +140°F]	UL/cUL 508, Haz Loc, CE
<u>SE-SW8U</u>	\$219.00	8	-	4.0 W		
<u>SE-SW5U-ST</u>	\$249.00	4	1 ST	3.0 W		
<u>SE-SW5U-SC</u>	\$239.00		1 SC			
<u>SE-SW9U-ST</u>	\$329.00	8	1 ST	5.0 W		
<u>SE-MC2U-ST</u>	\$238.00	1	1 ST	2.0 W		
<u>SE-MC2U-SC</u>	\$235.00		1 SC			

Metal Case Switches

Stride SE Series Unmanaged Models						
Part Number	Price	10/100	Fiber Connector	Input Power	Operating Temp	Agency Approvals
<u>SE-SW5U-WT</u>	\$231.00	5	-	2.0 W	-40 to +85°C [-40 to +185°F]	UL/cUL 508, Haz Loc, CE
<u>SE-SW8U-WT</u>	\$299.00	8	-	4.0 W		
<u>SE-SW5U-ST-WT</u>	\$329.00	4	1 ST	3.0 W		
<u>SE-SW5U-SC-WT</u>	\$329.00	4	1 SC			
<u>SE-SW9U-ST-WT</u>	\$419.00	8	1 ST	5.0 W		
<u>SE-SW9U-SC-WT</u>	\$409.00	8	1 SC			

Stride SE Series Unmanaged Industrial Ethernet Switches and Media Converters

General Specifications		
Ethernet Switch Type	Up to 9 ports	
Operating Mode	Store and forward wire speed switching, non-blocking	
Devices Supported	All IEEE 802.3 compliant devices are supported	
Standards	IEEE 802.3, 802.3u, 802.3x	
MAC Addresses	1024 addresses	
Memory Bandwidth	3.2 Gbps	
Latency for 10 Mbps ports	16 μ s + frame time (typical)	
Latency for 100 Mbps ports	5 μ s + frame time (typical)	
Power Input	Redundant Input Terminals	
Input Power (typical with all ports active at 100 Mbps)	SE-MC2U-ST SE-MC2U-SC SE-SW5U SE-SW5U-WT	2.0 W
	SE-SW5U-ST SE-SW5U-SC SE-SW5U-ST-WT SE-SW5U-SC-WT	3.0 W
	SE-SW8U SE-SW8U-WT	4.0 W
	SE-SW9U-ST SE-SW9U-ST-WT SE-SW9U-SC-WT	5.0 W
Input Voltage	10-30 VDC (continuous)–Class 2 Power Supply	
Reverse Power Protection	Yes	
Transient Protection	15,000 watts peak	
Spike Protection	5,000 watts (10x for 10 us)	
Ethernet Isolation	1500 VRMS 1 minute	
Operating Temperature Range	SE-MC2U-ST SE-MC2U-SC SE-SW5U SE-SW8U SE-SW5U-ST SE-SW5U-SC SE-SW9U-ST	-10 to +60°C [+14 to +140°F], cold startup at -10°C [+14°F]
	SE-SW5U-WT SE-SW8U-WT SE-SW5U-ST-WT SE-SW5U-SC-WT SE-SW9U-ST-WT SE-SW9U-SC-WT	-40 to +85°C [-40 to +185°F], cold startup at -40°C [-40°F]
Storage Temperature Range	-40 to +85°C [-40 to +185°F]	
Humidity (non-condensing)	5 to 95% RH	
Environmental Air	No corrosive gasses permitted. For use in Pollution Degree 2 environment	
Vibration and Shock	IEC60068-2 and -27	
EMI Emissions	FCC part 15, ICES-003, EN55022	
EMC Immunity	IEC61326-1	
RoHS and WEEE	RoHS (Pb free) and WEEE compliant	
Agency Approvals	UL/cUL 508, CSA C22 per EN61010-1, UL HazLoc (Class 1, Div. 2, Groups A, B, C, D) (UL file #E200031), CSA C 22.2/213/EN60079-15 (Zone 2, Category 3), CE (ATEX)	

General Specifications Cont'd		
Packaging and Protection	SE-MC2U-ST SE-MC2U-SC SE-SW5U SE-SW8U SE-SW5U-ST SE-SW5U-SC SE-SW9U-ST	UL94VO Lexan, IP30
	SE-SW5U-WT SE-SW8U-WT SE-SW5U-ST-WT SE-SW5U-SC-WT SE-SW9U-ST-WT SE-SW9U-SC-WT	Metal case, IP40

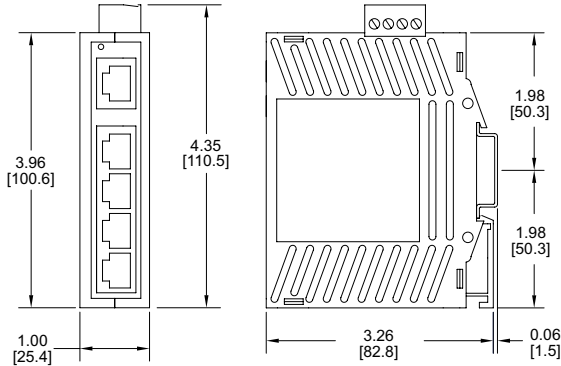
Copper RJ45 Ports: (10/100BaseT)	
10/100BaseT ports	Shielded RJ45
Protocols Supported	All standard IEEE 802.3
Ethernet Compliance	IEEE 802.3, 802.3u, 802.3x
Auto-Crossover	Yes, allows you to use straight-through or crossover wired cables
Auto-Sensing Operation	Yes, full and half duplex
Auto-Negotiating	Yes, 10BaseT and 100BaseT
Auto-Polarity	Yes, on the TD and RD pair
Flow Control	Automatic
Ethernet Isolation	1500 VRMS 1 minute
Plug and Play	Yes
Cable Requirements	Twisted pair (Cat5e or better) (shielded recommended)
Max. Cable Distance	100 meters

Fiber Port: (100BaseFX multimode)	
100BaseFX Ports	1
Fiber Port Mode	Multimode (mm)
Fiber Port Connector	ST – models SE-XXXX-ST and SE-XXXX-ST-WT SC – models SE-XXXX-SC and SE-XXXX-SC-WT
Optimal Fiber Cable	50/125 or 62.5/125 μ m
Center Wavelength	1300 nm
Multimode	Links up to 4 km typ.; > Transmitter power (dBm): -21 min, -17 typ, -14 max > Receiver sensitivity (dBm): -34 typ, -31 max
Nominal Max. Distance (full duplex)	4 km
Ethernet Compliance	100BaseFX
Eye Safety (laser)	IEC 60825-1, Class 1; FDA 21 CFR 1040.10 and 1040.11

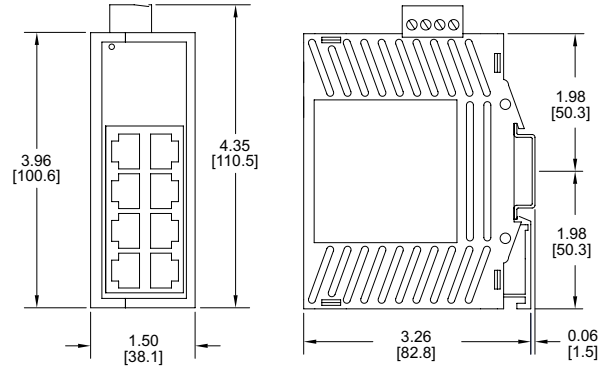
Stride SE Series Unmanaged Industrial Ethernet Switches and Media Converters

Dimensions

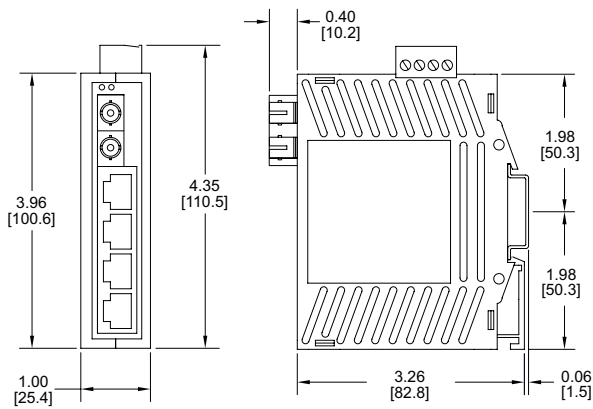
Inches [mm]



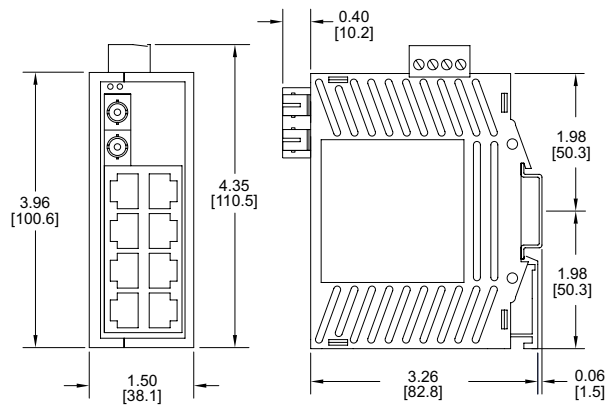
SE-SW5U



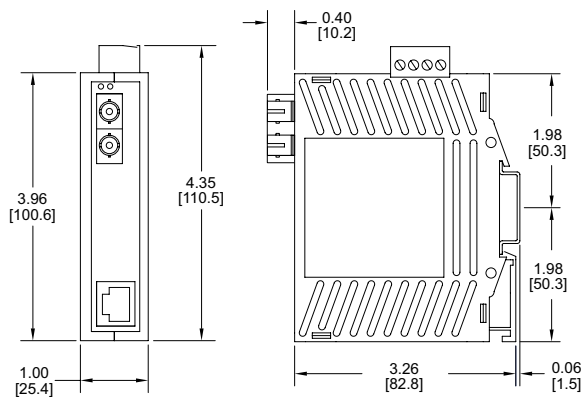
SE-SW8U



SE-SW5U-SC
SE-SW5U-ST



SE-SW9U-ST

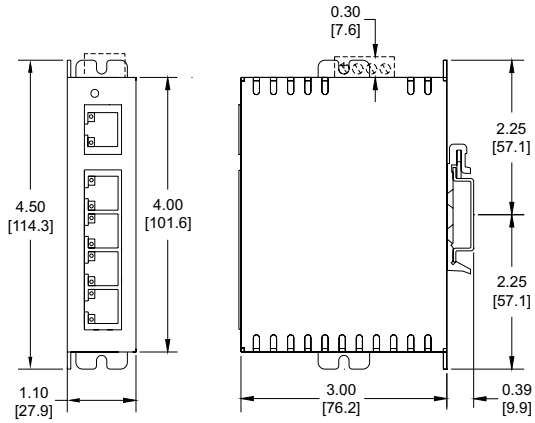


SE-MC2U-SC
SE-MC2U-ST

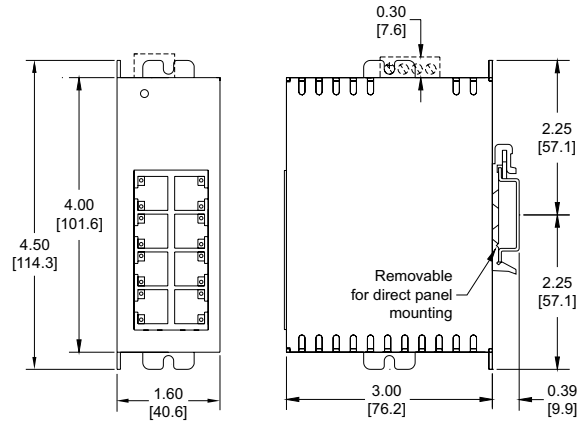
Stride SE Series Unmanaged Industrial Ethernet Switches and Media Converters

Dimensions

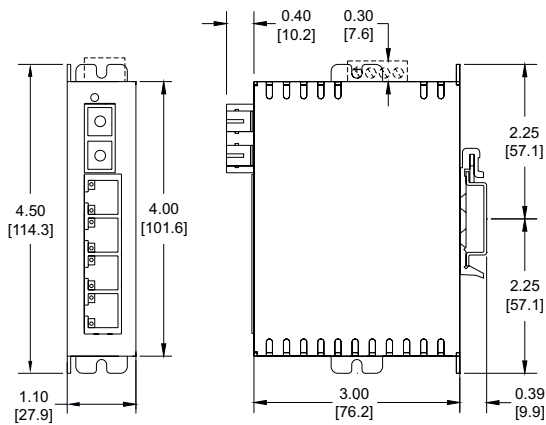
Inches [mm]



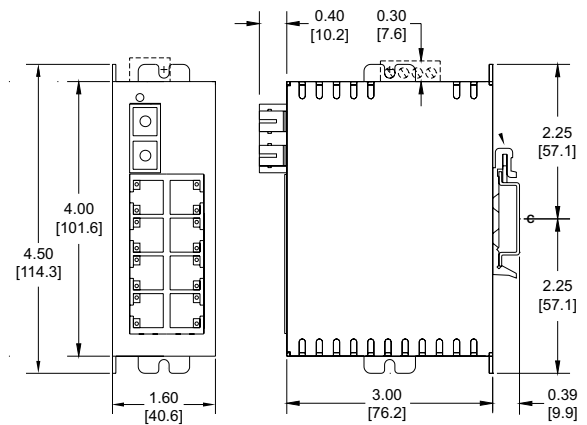
SE-SW5U-WT



SE-SW8U-WT



SE-SW5U-SC-WT
SE-SW5U-ST-WT



SE-SW9U-SC-WT
SE-SW9U-ST-WT

Stride Unmanaged Industrial Ethernet Switches

Features

- Reliable connectivity
- Industrially hardened
- Simple installation

- For detailed specifications on all models, see following pages



	SE Series	SE2 Series IP65	SE3 Series DIN Rail	SE3 Series IP67
Price				
	starting at \$129.00	starting at \$354.00	starting at \$72.00	starting at \$279.00
Broadcast Storm Protection				
	—	—	—	—
Industrial Temperature Ranges				
Standard Temp	-10 to +60°C	—	-10 to +65°C	—
Wide Temp	-40 to +85°C	-40 to +75°C	-40 to +75°C	-40 to +75°C
Port Connectivity				
Port Count	2 to 9	5	5 to 16	5
RJ45 Port Speed	up to 100 Mbps	—	up to 1000 Mbps	—
M12 Port Speed	—	up to 100 Mbps	—	up to 100 Mbps
Fiber Optic Ports	✓	—	✓	—
PoE+ Ports	—	—	✓	—
SFP Ports	—	—	✓	—
Mounting				
DIN Rail Mount	✓	—	✓	✓
Panel Mount	✓	✓	✓	✓
Input Power				
Redundant Power Inputs	✓	✓	✓	✓
Reverse Polarity Protection	✓	✓	✓	✓
Power LED	✓	✓	✓	✓
Agency Approvals				
UL508 or UL61010	✓	✓	✓	✓
Haz Loc—Class 1 Div 2	✓	—	✓	—
IECEX	✓	—	—	—
ATEX Zone 2	✓	—	—	—
CE	✓	✓	✓	✓
EN50155 & EN50121	—	✓	—	—
Warranty				
	5 years	5 years	5 years	5 years
Activity, Link & Speed LEDs				
	✓	✓	✓	✓